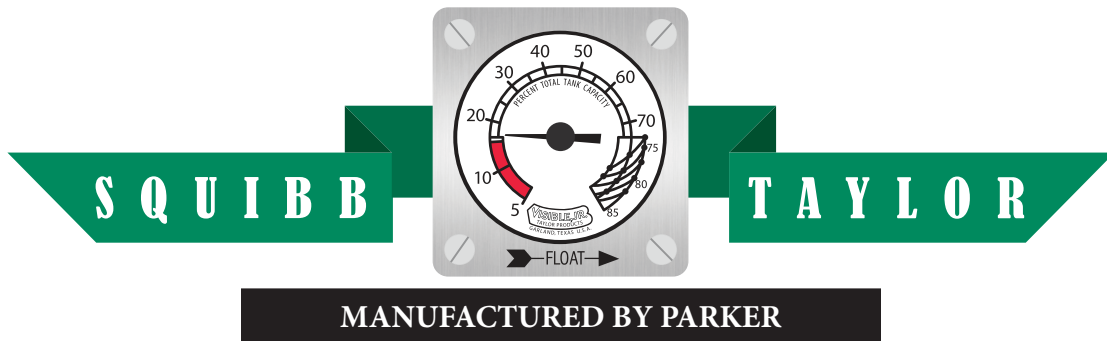


Anhydrous Ammonia Storage Plant Catalog





USER SAFETY RESPONSIBILITY STATEMENT

For All Anhydrous Ammonia & LP-Gas Products Offered by Squibb-Taylor

FAILURE OR IMPROPER SELECTION OR IMPROPER USE OF THE PRODUCTS DESCRIBED HEREIN OR RELATED ITEMS CAN CAUSE DEATH, PERSONAL INJURY OR PROPERTY DAMAGE.

- This document and other information from Squibb-Taylor, its subsidiaries and authorized distributors provide product or system options for further investigation by users having technical expertise.
- The user, through its own analysis and testing, is solely responsible for making the final selection of the system and components and assuring that all performance, endurance, maintenance, safety and warning requirements of the application are met. The user must analyze all aspects of the application, follow applicable industry standards, and follow the information concerning the product in the current product catalog and in any other materials provided from Squibb-Taylor or its subsidiaries or authorized distributors.
- To the extent that Squibb-Taylor or its subsidiaries or authorized distributors provide components or system options based upon data or specifications provided by the user, the user is responsible for determining that such data and specifications are suitable and sufficient for all applications and reasonably foreseeable uses of the components or systems.

Table Of Contents

• Angle Valves	1
• Actuator Accessories for Nitrogen Service	14
• Back Check Valves	4-5
• Baldor Motors	21
• Blackmer Pumps	21
• Bypass Valves	20
• Corken Pumps	19
• Corken Compressors	20
• Electronic Actuator for ESV	7
• Electronic Actuator for Internal Valves	16
• ESV Valve Accessories	17
• ESV Valve Actuators & Accessories - Fisher	6
• ESV Valve Actuators & Accessories - MEC	9
• ESV Valves - Fisher	6
• ESV Valves - MEC	8
• Excess Flow Valves	4
• Flow Indicators	24
• Globe Valves	1

• Hi-Flow Pipe Strainers	3
• Internal Valves Air Actuators - Fisher	11
• Internal Valves Air Actuators - MEC	15
• Internal Valves Electronic Actuators	16
• Internal Valves - Fisher	10
• Internal Valves - MEC	12-14
• Master Gauges	23
• Pipeaway Adaptor	2
• Pneumatic Air Accessories	17
• Pneumatic Tubing Push Connectors	17
• Relief Valve Manifold	1
• Relief Valves	1-2
• Rotary Gauges	26
• SS Flex Connectors	3
• The Eliminator™ Gauge	25
• Transfer Area Bulkhead	18
• TriPod Pull-Aways	18
• Y-Strainers	3

Globe & Angle Valves						
Item Number	Part Number	Inlet & Outlet	Type	Repair Kit	Bonnet Assembly	Stem & Disc Assembly
110320	AL312P	1-1/4" FNPT	Globe	312-22	312-25	312-26
110335	AL313P		Angle			
110375	AL316P	2" FNPT	Globe	316-22	316-25	316-26
110395	AL317P		Angle			
110378	AL316FP	2" ANSI Flange	Globe	316-22	316-25	316-26
110398	AL317FP		Angle			
110415	AL320P	3" FNPT	Globe	320-22	320-25	320-26
110425	AL321P		Angle			
110420	AL320FP	3" ANSI Flange	Globe	320-22	320-25	320-26
110429	AL321FP		Angle			



AL316P



AL317P



AL316FP



AL321FP

Relief Valves							
Item Number	Part Number	Size MNPT	Relief Setting	Flow Capacity - CFM Air (ASME)	For Tanks with Surface Area Up To: Sq. Ft.	Rain Cap	Pipeaway Adaptor
110795	A1310A	1 1/4"	250 PSI	5,363	882	1310-12	1310-20 (2" FNPT)
110800	A1310B		265 PSI	5,924	914		



A1310A

A1310 Have CRN #'s

Relief Valve Manifold				
Item Number	Part Number	Includes	Tank Connection	Relief Setting
110835	A1416	Manifold	2" FNPT *	-----
110855	A1416A	Manifold & 2 A1310A		250 PSIG
110856	A1416B	Manifold & 2 A1310B		265 PSIG

* Includes 2" X Close EH Seamless Nipple. Packing Kit 1415-2007 (3 Per Set).



A1416A

Fisher Relief Valves							
Item Number	Part Number	Application	Size MNPT	Relief Setting	Flow Capacity - CFM Air		For Tanks with Surface Area Up To: Sq. Ft.
					U.L.	ASME	
121043	H5114-250	Bulk Storage	2"	250 PSI	10,530	9,724	625
121045	H5114-265			265 PSI	11,300	10,280	681



H5114-265

MEC Relief Valves						
Item Number	Part Number	Primary Application	Size MNPT	Relief Setting	Flow Capacity - SCFM Air #	Trim Material
					U.L. @ 120% Set Pressure	
121099	MEV200SSIR/250	Stationary Tanks	2"	250 PSI	10,925	Nitrile
121088	MEV200SSIR/265			265 PSI	11,475	
121090	MEV250CN/250		2 1/2"	250 PSI	10,333	
121091	MEV250CN/265			265 PSI	10,948	
150818	ME904S-4F/250CN		4" 300 LB. Flange	250 PSI	27,740	

Flow rates are shown for bare relief valves.



MEV200SSIR/265



MEV250CN/265



ME904S-4F/250CN

Pipeaway Adaptor		
Item Number	Part Number	Inlet & Outlet
110811	A1310-20	2" FNPT
122615	MEP104-24	3" FNPT



MEP104-24

Strainers & Flex Connectors



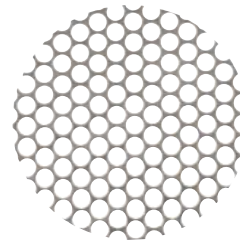
Hi-Flow Pipe Strainers			
Item Number	Part Number	Inlet	Outlet
111396	AL1750	2" FNPT	2" MNPT
111547	A2063-STR	2" MNPT	3 1/4" Male Acme
111549	A2065-STR	3" MNPT	
111551	A2074-STR	2" MNPT	
111553	A2075-STR	3" MNPT	
150588	ME251-02	Replacement 3 1/4" Acme Strainer Screen	
150589	ME251-03	Retaining Ring For ME251-02	



AL1750



A2063-STR



ME251-02



ME251-03

Y-Strainers				
Item Number	Size, MNPT	Strainer	Size, MNPT	Plug Size
200707	1 1/4" FNPT	40 Mesh	1 1/4" FNPT	3/4"
200725	2" FNPT		2" FNPT	1"
200726	3" FNPT		3" FNPT	1 1/4"

20 & 80 Mesh screen sizes available.



200725

SS Flex Connectors			
Item Number	Connection Size	Length	Material
200799	1 1/4"	18"	Stainless Steel Double Braid w/Hex Wrenching Flats
200800		24"	
200803	2"	18"	
200835		24"	
200810	3"	18"	
200845		24"	

Other sizes, lengths, weld ends, & flange ends available.



200799



Flex with Flanges

Excess Flow Valves				
Item Number	Part Number	Inlet Connection	Outlet Connection	Closing Flow
111335	A1705-45	1 1/4" MNPT	1 1/4" FNPT	45 GPM
111381	A1717-1120	2" MNPT	2" FNPT	110 GPM
111356	AL1710			95 GPM
111371	A1714-225			3" MNPT
111340	A1706	1 1/4" MNPT	1 1/4" MNPT	50 GPM
111380	A1718	1 1/2" MNPT	1 1/2" MNPT	60 GPM
111347	A1708-95	2" MNPT	1 1/4" FNPT	95 GPM
111375	A1715-165	3" MNPT	2" MNPT	165 GPM
111382	A1715-225			225 GPM
111361	AL1711	2" MNPT	2" MNPT X 1 1/4" FNPT	95 GPM
111364	A1713-165	3" MNPT	3" MNPT X 2" FNPT	165 GPM
111365	A1713-225			225 GPM

Sizing Excess Flows - Refer To Local Codes.



A1717



AL1710



A1713

Back Check Valves			
Item Number	Part Number	Connection	Connection
111385	A1727	1 1/4" FNPT	1 1/4" MNPT
111390	A1728	2" FNPT	2" MNPT
111395	A1729	3" FNPT	3" MNPT
111400	A1733	2" MNPT	2" MNPT
111398	A1730	1 1/4" FNPT	1 1/4" FNPT



A1729



A1730



A1733

Back Check Valves



Fisher Back Check Valves					
Item Number	Part Number	Application	Connection	Connection	Flow Indicator
120840	G200-10	In-Line Full Flow Swing Check	1 1/4" FNPT	1 1/4" FNPT	No
120845	G200-16		2" FNPT	2" FNPT	
120847	G200-24		3" FNPT	3" FNPT	
120850	G201-10		1 1/4" FNPT	1 1/4" FNPT	Yes
120855	G201-16		2" FNPT	2" FNPT	
120860	G201-24		3" FNPT	3" FNPT	



G200-16



G201-16

MEC Swing Check Valves					
Item Number	Part Number	Inlet Connection	Outlet Connection	Material	OAL
154175	ME981-10	1 1/4" FNPT	1 1/4" FNPT	Ductile Iron	5 3/8"
154180	ME981-16	2" FNPT	2" FNPT	Cast Steel	6 7/8"
154190	ME981-24	3" FNPT	3" FNPT	Ductile Iron	9 5/8"
154205	ME981-901K	Dial Indicator for 1 1/4" to 3" Valves			

Has a Built-In Flow Indicator Mechanism.



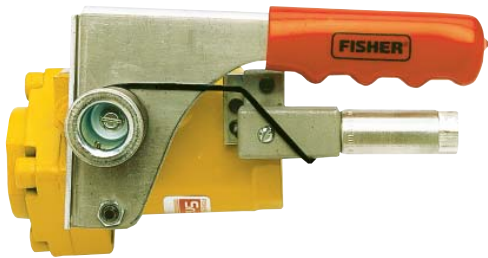
ME981-6



ME981-10

Fisher Emergency Shutoff Valves			
Item Number	Part Number	Body Size	Flow - NH3
122586	N551-10	1 1/4" FNPT	47 GPM
122589	N551-16	2" FNPT	70 GPM
122596	N551-24	3" FNPT	178 GPM
122588	N562-26 *	2" FNPT X 3 1/4" Male Acme	180 GPM

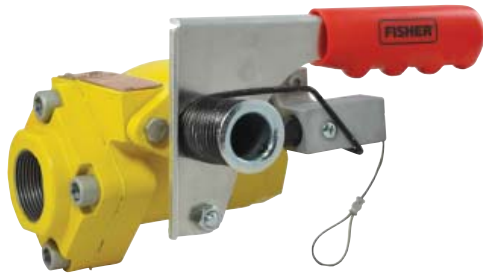
* For Railroad tank cars. Pneumatic operation only.



N551 & P327D



N562-26



N551-10



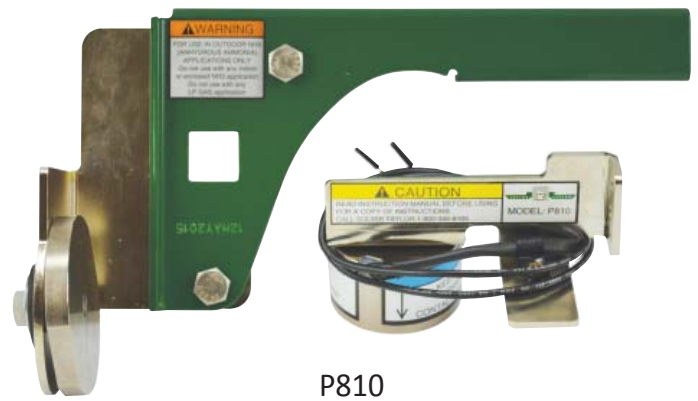
N551 & P539A

N550 & N551 Parts & Accessories			
Item Number	Part Number	Part Description	Fits
122927	P327D	Actuator - Close Only	N550 & N551
122937	P539A	Actuator - Open / Close	N550 & N551
122692	P164B	50' Cable Release Assembly	N550 & N551
122978	P551	Helper Spring Kit - Cable	N550 & N551
122979	P551A	Helper Spring Kit With P327D	N550 & N551
129079	T13090-T0012	Packing Assembly Kit	N550
125047	RCN551T0012		N551
129078	T12963-T0012	Latch Block Assembly	N550 & N551
129896	T13500-T0012	Fuse Link Assembly	N550 & N551
129274	T20677-T0012	Handle Only	N550 & N551
129758	T12928-T0012	Handgrip Only	N550 & N551
129275	T20714-T0012	Handle and Handgrip Assy.	N550 & N551

Electronic Actuator For ESV



Electronic Actuator For ESV		
Item Number	Part Number	Description
122939	P810	12 Volt Electronic Actuator for N550/551 ESV Anhydrous Ammonia (NH3) Service Only.



P810



N551 / P810 Open



N551 / P810 Closed

Electrical Accessories		
Item Number	Part Number	Description
113800	RSD E-Box	Storage Remote Shutdown
113805	RSD-E1	1 - Function Transmitter
113806	E-Stop	Push Button — Electric
113807	P810-R	P810 Bracket for Rego
113808	P810-M	P810 Bracket for MEC



RSD-E1



E-Stop



RSD E-Box

MEC Emergency Shutoff Valves							
Item Number	Part Number	Body Size	Latch Type	Material	Flange Material	OAL	
154500	ME980-10	1 1/4" FNPT	Pneumatic	Ductile Iron	Ductile Iron	5 3/8"	
154515	ME980C-10		Cable				
154525	ME980-16	2" FNPT	Pneumatic		Cast Iron	6 7/8"	
154540	ME980C-16		Cable				
154550	ME980-24	3" FNPT	Pneumatic		Ductile Iron	9 5/8"	
154565	ME980C-24		Cable				
154570	ME980-16-2F	2" - 300 Lb. Flange	Pneumatic			Ductile Iron	11 7/8"
154585	ME980C-16-2F		Cable				
154590	ME980-24-3F	3" - 300 Lb. Flange	Pneumatic				14 1/8"
154605	ME980C-24-3F		Cable				
154610	ME980-24-4F	4" - 300 Lb. Flange	Pneumatic		14 1/4"		
154625	ME980C-24-4F		Cable				

To order ESV with Pneumatic Actuator add "A" after the prefix part number i.e. ME980A-10.

To order ESV with Rotary Actuator add "AR" after the prefix part number i.e. ME980AR-10.



ME980-6



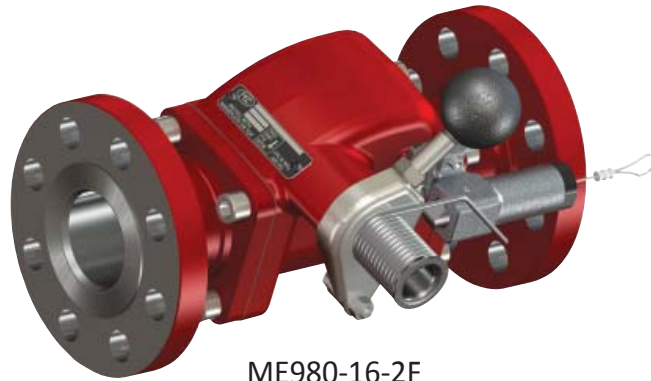
ME980-10



ME980-24



ME983



ME980-16-2F

MEC Railcar ESV			
Item Number	Part Number	Body Size	Closing Flow GPM
154400	ME983-16/500	2" FNPT	450

MEC ESV Air Actuators				
Item Number	Part Number	Type	Operating Pressure Limits	Fits
150602	ME551	Air	Minimum = 20 PSIG Maximum = 125 PSIG Recommended = 20 - 25 PSIG	ME980-10, ME980-16, ME980-16-2F, ME980-24, ME980-24-3F, & ME980-24-4F
150609	ME552	Rotary		



ME551



ME552

MEC ESV Accessories			
Item Number	Part Number	Type	Description
154640	ME980-905	Universal ESV/Internal Valve Remote Release	No Cable
154642	ME980-905-25		W/25' Cable
154643	ME980-905-50		W/50' Cable
154645	ME980-906-25	Remote Release Cable Assembly	5/16-24UNF — 25' OAL
154647	ME980-906-50		5/16-24UNF — 50' OAL



ME980-905



ME980-905-25

Fisher 1 1/4" Threaded Internal Valves					
Item Number	Valve Only	Item Number	Valve With Manual Latch	Tank Connection	Outlet Connection
120430	C407-10-03	120438	C407M-10-03 *	1 1/4" MNPT	1 1/4" FNPT
120435	C407-10-05	120428	C407M-10-05 *		
120440	C407-10-08	120442	C407M-10-08 *		

* Includes a factory installed Type P340 / P341 latch.



C407



C407M

Fisher 2" & 3" Threaded Internal Valves					
Item Number	Straight Body (One Outlet)	Item Number	Tee Body (Two Outlets)	Tank Connection	Outlet Connection
120448	C477-16-105	120301	C471-16-105	2" MNPT	2" FNPT
120451	C477-16-150	120306	C471-16-150		
120458	C477-16-250	120311	C471-16-250		
120461	C477-24-160	120313	C471-24-160	3" MNPT	3" FNPT
120471	C477-24-260	120321	C471-24-260		
120476	C477-24-375	120326	C471-24-375		
120484	C477-24-460	120331	C471-24-460		



C477



C471

Fisher Internal Valve Air & Cable Actuators



Fisher Internal Valve Air Actuators					
Item Number	Part Number	Fits	Type	Obsolete Part Number	Supply Pressure Range, PSIG / bar
122931	P389	C407-10	Cylinder	-----	60 / 4,1 to 250 / 17,2
122988	P731		Rotary		50 / 3,5 to 125 / 8,6
122934	P639A	C402, C421, C427, C471, & C477	Brake Chamber	P326-6	20 / 1,4 to 12 / 8,6
122989	P739		Rotary	-----	25 / 1,7 to 125 / 8,6



P389



P639



P731

Fisher Internal Valve Cable Latches			
Item Number	Part Number	For Type Size	Release Type
122912	P340	2" & 3"	Latch
122925	P341	1 1/4"	
122919	P342		Bi-Directional Latch
122685	P163A	1 1/4", 2" 3" & 4"	Auxiliary Remote
122690	P164A		
122985	P650		
122987	P651 *		Primary Cable Control

* Type P651 is a primary control only, no accessories. # Use with Type P315 remote release mechanism.



P340



P341



P342



P163A — 25'
P164A — 50'



P650



P651

MEC 1 1/4" Threaded Internal Valves					
Item Number	Part Number	Liquid Closing Flow Value	Actuation	Tank Connection	Outlet Connection
Straight Body (One Outlet)					
153920	ME990-10-35	35 GPM	Valve Only	1 1/4" MNPT	1 1/4" FNPT
153925	ME990-10-55	55 GPM			
153930	ME990-10-85	85 GPM			
153965	ME990M-10-35	35 GPM	Manual With ME990-10-902		
153970	ME990M-10-55	55 GPM			
153975	ME990M-10-85	85 GPM	Air With ME205		
153945	ME990A-10-85		Rotary With ME225		
153960	ME990AR-10-85				
Tee Body (Two Outlets)					
150288	ME992-10-85	85 GPM	Valve Only	1 1/4" MNPT	1 1/4" FNPT (2)

These valves are available with Kalrez®, Neoprene, & Viton® Trims.



ME990-10-85



ME990-16-160

MEC 2" Threaded Internal Valves					
Item Number	Part Number	Liquid Closing Flow Value	Actuation	Tank Connection	Outlet Connection
153480	ME990-16-110	110 GPM	Valve Only	2" MNPT	2" FNPT
153485	ME990-16-160	160GPM			
153490	ME990-16-260	260 GPM			
153530	ME990M-16-160	160GPM	Manual With MEP990-24		
153535	ME990M-16-260	260 GPM			
153505	ME990A-16-260	260GPM	Air With ME206		
153520	ME990AR-16-260	260 GPM	Rotary With ME226		

These valves are available with Kalrez®, Neoprene, & Viton® Trims.

MEC 2" Threaded Tee Body Internal Valves					
Item Number	Part Number	Liquid Closing Flow Value	Actuation	Tank Connection	Outlet Connection
154800	ME992-16-160	160 GPM	Valve Only	2" MNPT	2" FNPT X 2" FNPT
150290	ME992-16-260	260 GPM			
154825	ME992M-16-160	160 GPM	Manual With MEP990-24		
154830	ME992M-16-260	260 GPM			
154805	ME992A-16-160	160 GPM	Air With ME206		
154810	ME992A-16-260	260 GPM			
154815	ME992AR-16-160	160 GPM	Rotary With ME226		
154820	ME992AR-16-260	260 GPM			

These valves are available with Kalrez®, Neoprene, & Viton® Trims.



ME992M-16-160



ME990-24-400

MEC 3" Threaded Internal Valves					
Item Number	Part Number	Liquid Closing Flow Value	Actuation	Tank Connection	Outlet Connection
153340	ME990-24-175	175 GPM	Valve Only	3" MNPT	3" FNPT X 3" FNPT
153345	ME990-24-250	250 GPM			
153350	ME990-24-300	300 GPM			
153355	ME990-24-375	375 GPM			
153360	ME990-24-400	400 GPM			
153370	ME990-24-500	500 GPM			
153430	ME990AR-24-400	400 GPM	Rotary With ME226		

These valves are available with Kalrez®, Neoprene, & Viton® Trims.

MEC 3" Threaded Tee Body Internal Valves

Item Number	Part Number	Liquid Closing Flow Value	Actuation	Tank & Outlet Connection
154855	ME992-24-175	175 GPM	Valve Only	3" MNPT X 3" FNPT X 3" FNPT
150283	ME992-24-250	250 GPM		
150285	ME992-24-375	375 GPM		
150295	ME992-24-400	400 GPM		
150298	ME992-24-500	500 GPM		
154895	ME992M-24-250	250 GPM	Manual With MEP990-24	
154900	ME992M-24-400	400 GPM		
154905	ME992M-24-500	500 GPM		
154860	ME992A-24-250	250 GPM	Air With ME206	
154865	ME992A-24-400	400 GPM		
154870	ME992A-24-500	500 GPM		
154875	ME992AR-24-175	175 GPM	Rotary With ME226	
154880	ME992AR-24-250	250 GPM		
154885	ME992AR-24-400	400 GPM		
154890	ME992AR-24-500	500 GPM		



ME992M-24-400

These valves are available with Kalrez®, Neoprene, & Viton® Trims.

Actuator Accessories For Nitrogen Service

Item Number	Part Number	Inlet	Outlet	Part Description
150583	ME707	3/8" FNPT	3/8" FNPT (2 Ports)	Quick Release Valve Used To Decrease Response Time When Closing Actuators.
150584	ME708 *	1/4" FNPT	1/4" FNPT	0-150 PSIG Air Pressure Regulator.
750815	PF-052FM		1/4" MNPT	Trap-All Gas/Air Filter for Actuator Systems.
750804	PF-0532	3/8" Flare	1/4" FNPT	

* Universal Mounting Bracket Included.



ME707



ME708



PF-052FM

MEC Internal Valve Actuators & Accessories



MEC Internal Valve Air Actuators			
Item Number	Part Number	Operating Pressure Limits	Fits
150581	ME205	Minimum = 20 PSIG Maximum = 125 PSIG Recommended = 20 - 25 PSIG	ME990-10
150576	ME206		ME990-16 & ME990-24



ME205



ME206

PowerTorq Rotary Actuators				
Item Number	Part Number	Type	Fits MEC	Internal Valve
150690	ME225	Direct Drive	ME990-10	1 1/4" Threaded
150582	ME226		ME990-16, ME992-16, ME990-24, & ME992-24	2" & 3" Threaded



ME225



ME225 Mounted to Valve with ME707

ME707 & Internal valve not included.

MEC Internal Valve Accessories			
Item Number	Part Number	Fits	Part Description
153980	ME990-10-902	ME990-10	Manual Latch Assembly
153540	MEP990-24	ME990-16 & ME990-24	
153545	MEP650 *	All Sizes	Open/Close Cable Control Release
153550	MEP651		

* With 50' Cable.



MEP651



ME990-10-902



MEP990-24

Internal Valve Electronic Actuators				
Item Number	Part Number	Description	Type	Fits
113803	EA100	12 VDC Electronic Actuator Only	Direct Drive	Bracket Below Required
113811	EAF101	12 VDC Electronic Actuator with Fisher® Bracket	Direct Drive	Fisher® C402, C421, C427, C471, & C477
113812	EAM102	12 VDC Electronic Actuator with MEC® Bracket	Direct Drive	MEC® ME990-16, ME990-24, ME992-16, & ME992-24



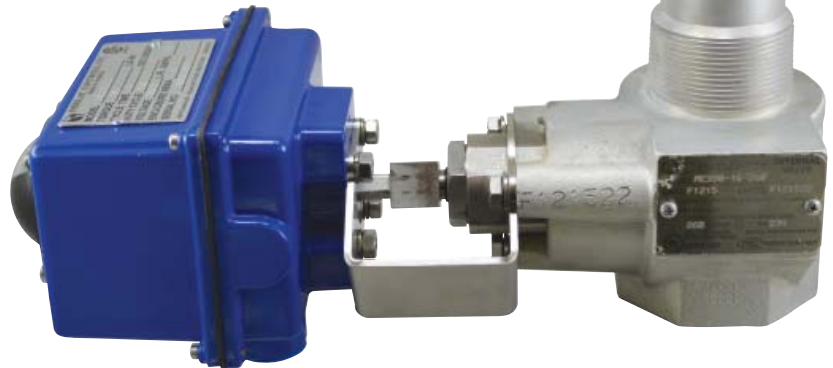
EA100

Brackets For EA100		
Item Number	Part Number	Fits
113804	EA100-F	Fisher® C402, C421, C427, C471, & C477
113810	EA100-M	MEC® ME990-16, ME990-24, ME992-16, & ME992-24



EAF101 with C477

Valves Not Included



EAM102 with ME990

Emergency Shutoff Air Accessories

Air Accessories		
Item Number	Part Number	Part Description
404200	250V-3-10-21	Pull Lever Actuating Air Valve
404185	M3820602	Lexair Valve — Push Button
404206	NB-4-035	1/4" Poly Tubing
650088	Push To Close Decal — Electric or Air	
404186	ESV Sign Post For Lexair Valve — Electric or Air	
113802	RSD-SVH-AA	Solenoid Valve Module



M3820602



ESV Sign Post



250V-3-10-21



V-82



RSD-SVH-AA



NB-4-035

Pneumatic Tubing Push Connectors		
Item Number	Part Number	Part Description
404300	32095611	1/4" Tube X 1/8" MNPT 90°
404302	32095614	1/4" Tube X 1/4" MNPT 90°
404304	32755611	1/4" Tube X 1/8" MNPT
404306	32755614	1/4" Tube X 1/4" MNPT
404308	31085611	1/4" Tube X 1/8" MNPT Branch Tee
404310	31085614	1/4" Tube X 1/4" MNPT Branch Tee
404312	32065600	1/4" Coupling
404314	32045600	1/4" Tube Tee



32095614



32755614



31085614



32045600

Other Fittings Available.

TriPod Safety Couplers

Item Number	Part Number	Inlet	Outlet	Capacity	Separation Force Bulkhead/Transport
113051	TP-5 *	1" MNPT	1" MNPT	55 GPM	100 Ft. Lbs ~
113056	TP-6 *			77 GPM	200 Ft. Lbs ~
113059	TP-7 *	1-1/4" MNPT	1-1/4" MNPT	126 GPM	200 Ft. Lbs ~
113065	TP-4	3" MNPT X 2" FNPT	3" MNPT X 2" FNPT	350 GPM	350 Ft. Lbs ~

* Includes Bar / Hardware Kit For Riser Mounting.

~ See IOM.



TP4



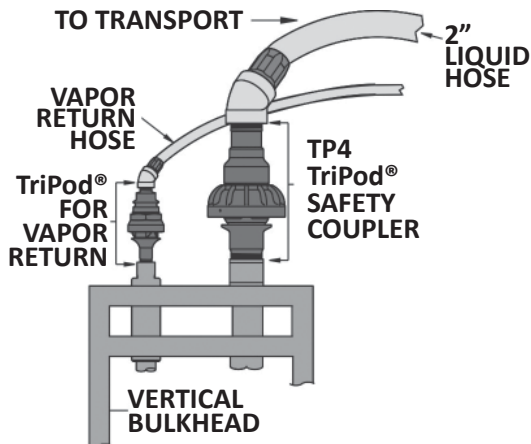
TP6



Hardware Kit

Transfer Area Bulkhead

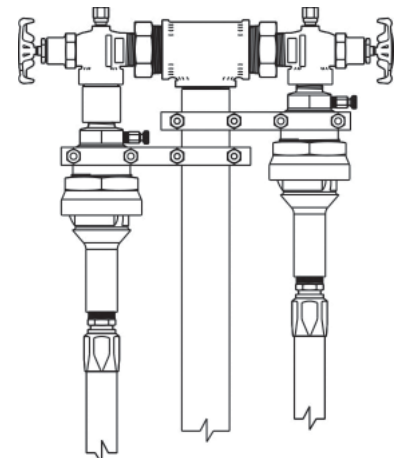
Item Number	Part Number	Sleeve Style	Opening Sizes
790000	1000	Horizontal	2" X 1 1/4"
790005	1001		3" X 2"
790010	1002	Vertical	2" X 1 1/4"
790015	1003		3" X 2"
790020	1006	Horizontal	2" X 1 1/4" X 3"



Typical Bulkhead Installation



Horizontal



Typical Riser Installation

Corken Bare Pumps				
Item Number	Part Number	Inlet	Outlet	Flow Rate
140050	521EGAE	2" FNPT	2" FNPT	25-80 GPM
140120	1021EGAMM	3" FNPT	3" FNPT	65-195 GPM
140193	Z2000HGAEU	2" FNPT	2" FNPT	37-75 GPM
140121	Z3500HGAMT	3" FNPT	3" FNPT	120-168
140185	Z4500HGASP	4" 300# Flange	3" 300# Flange	200-308

Z3500 is a direct replacement for Corken 1021 & Blackmer LGLD3.



Z3500



521 / 1021



Z4500

Corken Base Mounted Pumps				
Item Number	Part Number	RPM	3 Phase Motor - HP	Frame Size
140062	521EGAE-103-9-640-184T	640	5	184T
140187	Z2000HGAEU-103-9-640-184T			
140137	1021EGAMM-103-10-640-215T		10	215T
140131	Z3500HGAMT-103-10-640-215T			
140186	Z4500HGASP-103-15-640-256T		20	256T

103 Style - Mounting includes steel baseplate, adjustable driver side base, V-belt drive and enclosed belt guard. Motor sold separately.



Z2000



103 Pump Series

Corken Bare Compressor with Flywheel

Item Number	Part Number	Approximate Capacity
140200	91AJ3FBANSNN	23-46 GPM
140211	291AM3FBANSNN	45-85 GPM
140221	491AM3FBANSNN	85-181 GPM
140231	691AM3FBANSNN	165-338 GPM



291

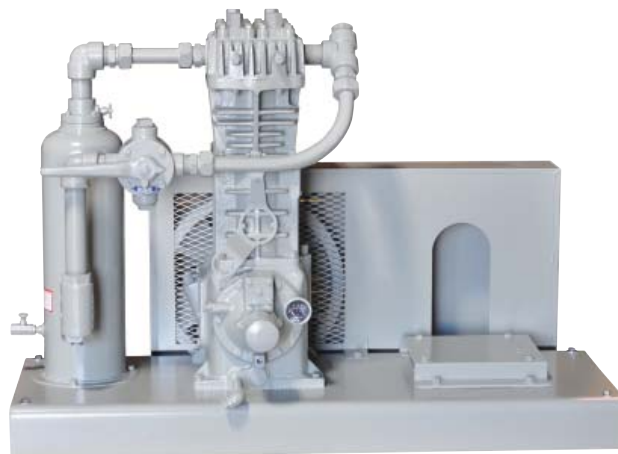


491

Corken Base Mounted Compressors

Item Number	Part Number	RPM	3 Phase Motor - HP	Frame Size
140250	91AJ3FBANSNN-107-1-695-184T	695	5	184T
140261	291AM3FBANSNN-107-3-695-215T	695	10	215T
140271	491AM3FBANSNN-107-5-670-254T	670	15	254T
140281	691AM3FBANSNN-107-7-640-256T	640	20	256T

107 Style - Mounting includes steel baseplate, mechanical liquid trap, non-lube 4-way valve, interconnecting piping, strainer, adjustable driver side base, V-belt drive and enclosed belt guard. Pressure gauges are mounted on the compressor. Motor sold separately.



491-107

Blackmer Bare Pumps				
Item Number	Part Number	Inlet	Outlet	Flow Rate - GPM
142052	LGLD2E	2" FNPT	2" FNPT	30-67
142057	LGL3021	3" FNPT	3" FNPT	59-133
142036	LGLD4B			130-270

LGL3021 is a direct replacement for Corken 1021.



LGLD2E



LGLD4B

Baldor Motors				
Item Number	Part Number	Horsepower	Frame Size	Specifications
140412	EM3615T	5	184T	TEFC 3-Phase 50/60 Hz 1800 RPM
140417	EM3710T	7.5	213T	
140422	EM3774T	10	215T	
140427	EM2333T	15	254T	
140432	EM2334T	20	256T	
140437	EM4103T	25	284T	

Single Phase available (Will change frame size).



EM3615T



EM2334T

Corken Bypass Valves				
Item Number	Part Number	Size - FNPT	Application	Spring Range
140342	T166-1.25AAU	1 1/4"	Bulk Plants & Large Capacity Pumps	25-60
140341	T166-1.5AAU	1 1/2"		25-60
140329	ZV200-AAEE	2"		41-70

Other spring ranges available.



T166



ZV200

Blackmer Bypass Valves				
Item Number	Part Number	Size - FNPT	Application	Spring Range
142004	BV1.25A-510	1 1/4"	Bulk Plants & Large Capacity Pumps	71-125
142002	BV1.5A-510	1 1/2"		
142007	BV2A-21NN	2"		41-70

Other spring ranges available.



BV2A

MEC Bypass Valves				
Item Number	Part Number	Size - FNPT	Application	Spring Range
148022	ME840-16-40	2"	Bulk Plants & Large Capacity Pumps	20-40
148024	ME840-16-70			41-70
147978	ME840-24-75	3"		25-75

Other spring ranges available.



ME840-16-40



ME840-24-75

Master Gauges



The Master Series™ liquid-level gauges are designed to indicate the liquid level contents of Anhydrous Ammonia(NH3) in stationary-storage tanks.

The Master Series™ are available in two basic models:

Model A - Stainless Steel Senior head which mounts to a 2" MNPT x Senior adaptor.

Model B - Stainless Steel head which mounts to a 2 1/2" X 8-Bolt flange adaptor.

Both models incorporate a 8" [100 mm] dial with an available 4" [200 mm] dial. When necessary, the dials are easily replaceable. Standard mounting is end or top mounting. These gauges can be special ordered with angle or straddle mounts. The model A comes standard with cap screws and a Senior spirotallic gasket. The model B comes with a stud and nut kit and spirotallic gasket.

The Master Series™ gauges are designed for working pressures ranging from atmospheric to 450 [31 Bar] psig.

Note: Refer to Gauge Instructions for mounting bolt torque specifications.

Master Standard Sizes							
Item Number	Part Number	Tank Diameter	Tank Opening	Model Type	Mount	Standard Dial	Old NH3 Number
138000	ME2434A	72"	2"	A	Side, End	130090	DD240B
138005	ME2434B		2 1/2"	B	Side, End	130090	DD240A
138010	ME2738A	82"	2"	A	Side, End	130090	DD270D
138015	ME2738B		2 1/2"	B	Side, End	130090	DD270G
138020	ME2839A	84"	2"	A	Side, End	130090	DD280G
138025	ME2839B		2 1/2"	B	Side, End	130090	DD280C
138030	ME3245A	96"	2"	A	Side, End	130090	DD320F
138035	ME3245B		2 1/2"	B	Side, End	130090	DD320B
138040	ME3650A	104"-108"	2"	A	Side, End	130090	DD360A
138045	ME3650B		2 1/2"	B	Side, End	130090	DD360B
138050	ME3862A	130"	2"	A	Side, End	130090	DD430B
138055	ME3862B		2 1/2"	B	Side, End	130090	DD380F

Master Gauge Parts		
Item Number	Part Number	Model Type
130040	Spirotallic Gasket	B
118405	5305 2" MNPT X Sr. Head Adaptor	A
118425	5331 2 1/2" X 8 Bolt Flange Adaptor	B
118428	5330 Weld In 8 Bolt Flange Adaptor	B
130206	Master Gasket & Centralizer	B
131812	Straddle Mount Adapter w/Screws & Gasket	B



118428



118425



131812



118405

Indicates direction of flow of Anhydrous Ammonia(NH3) in piping at working pressures up to 500 psig [34 Bar]. The indicator must be installed in piping tees.

The head, center shaft, support tube, bearings and vane in these indicators are made of 300 Series stainless steel. Magnets are nickel-plated Alnico, and the threaded mounting adapters are forged steel. The hermetically sealed dial has a large 4" dial face capable of showing flow in both directions or the absence of flow. **Note: Torque mounting bolts to 140 to 150 in-lb.**

Flow Indicator Standard Sizes

Item Number	Part Number	Pipe Size	Complete Assembly Includes
130050	5520-2 Complete	2"	5520-2 Flapper, 5520R Dial, 5305 2" Adapter, Screws, Spirotallic Gasket.
130055	5520-2 1/2 Complete *	2 1/2"	5520-2 1/2 Flapper, 5520R Dial, 5305 2" Adapter, Screws, Spirotallic Gasket.
130060	5520-3 Complete **	3"	5520-3 Flapper, 5520R Dial, 5305 2" Adapter, Screws, Spirotallic Gasket.

* Requires a 2 1/2" X 2" Hex Bushing - Sold Separately ** Requires a 3" X 2" Hex Bushing - Sold Separately

Flow Indicator Parts

Item Number	Part Number	Case Quantity
130046	5520R Dial *	1 Pc.
130065	5520-2 Flapper Only	1 Pc.
130070	5520-2 1/2 Flapper Only	1 Pc.
130075	5520-3 Flapper Only	1 Pc.
130131	Sr. Spirotallic Gasket	1 Pc.
403631	SS Cap Screws	1 Pc.
130045	5520T Dial *	1 Pc.
118405	5305 2" MNPT X Sr. Head Adaptor	1 Pc.

* Includes Dial, Bezel, Bracket and Screws.



130050



130046

Replacement Dial Ordering Information



Old Style Head

130045

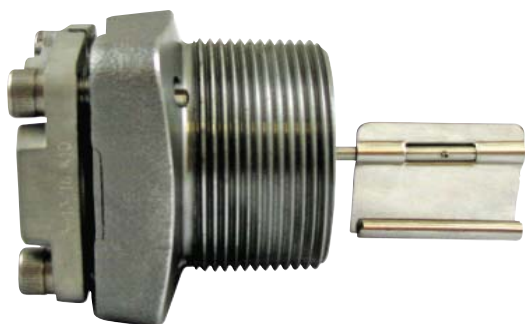
Bracket mounts on top and is secured by two screws on the side of head.



New Style Head

130046

Bracket mounts on top and is secured with dial screws.



5520-2	L Dimension = 3 13/16"
5520-2 1/2	L Dimension = 5 5/16"
5520-3	L Dimension = 5 15/16"

L Dimension is the distance from gasket surface to the end of the flapper.

The Eliminator™



The Eliminator™ direct-reading float gauge is a direct replacement for 1" NPT rotary-type dip-tube gauges in NH3 storage tanks.

These Gauges are designed for larger tanks up to 96" [2134 mm] in diameter. The Eliminator™ is not intended for use in filling tanks - its use is restricted to tanks with fixed liquid level gauges, used to determine when the maximum fill level has been reached.

Eliminator Standard Sizes			
Item Number	Part Number	Tank Diameter	Case Quantity
131900	EL4442	42"	1 Pc.
131901	EL6046	46"	1 Pc.
131902	EL6048	48"	1 Pc.
131903	EL6056	56"	1 Pc.
131906	EL6060	60"	1 Pc.
131909	EL7266	66"	1 Pc.
131912	EL7272	72"	1 Pc.
131914	EL8474	74"	1 Pc.
131916	EL8476	76"	1 Pc.
131919	EL8479	79"	1 Pc.
131920	EL8480	80"	1 Pc.
131921	EL8481	81"	1 Pc.
131922	EL8482	82"	1 Pc.
131923	EL8484	84"	1 Pc.
131925	EL8486	86"	1 Pc.
131926	EL8487	87"	1 Pc.
131930	EL9696	96"	1 Pc.

* Any Eliminator installed in a mobile tank greater than 60" is excluded from the Taylor Gauge Limited Warranty and cannot be reworked.



130100

Eliminator Dial	
Item Number	Part Number
130100	Eliminator Dial Assy

How To Do The Conversion

1. After the storage tank has been evacuated, remove the rotary gauge from the 1" NPT opening at the centerline of the head. Clean and re-tap the female threads.
2. Remove the two screws from the bezel. Put the bezel, screws and dial chamber aside for the moment. Remove the four mounting screws holding the gauge head to the adapter.
3. Insert the lower portion of the replacement gauge, including the float bulb, float arm, gear housing and counterbalance, into the tank opening.
4. Apply three wraps of 1/2" [12 mm] wide Teflon tape, or other suitable thread sealant, to the 1" NPT threads on the steel adapter through which the gauge support passes.
5. Screw the adapter into the tank opening to achieve a leak-tight joint, and align the gauge mounting holes in the horizontal plane.
6. Using the gasket and four mounting screws supplied, attach the gauge to the adapter finger tight. Be sure the gauge is right side up, the bracket tab for locating dial chamber should be on the right. Torque the mounting screws evenly to 140/150 lb. in., [16,4 Nm] using a cross pattern.
7. Reattach the 4" dial chamber and bezel to the Senior™ gauge head brackets using the two screws supplied.
8. If you end up with the dial chamber upside down, you cannot solve the problem by rotating the bracket. You must rotate the entire gauge 180°.

Fisher® brand rotary gauges can be used on stationary or mobile tanks to visually indicate the amount of Anhydrous Ammonia (NH₃) in the container. They are also used in filling the tank to the proper liquid level. On mobile applications and some large stationary storage tanks, hangers are recommended to support the horizontal length of the dip tube.

The Gauge is operated by opening the small bleed orifice when the tube is in the vapor space of the tank. Moving the pointer on the dial causes the end of the tube to move until it contacts liquid in the container. At that point, discharge from the bleed orifice turns from vapor to liquid and the rotary gauge dial gives the volume percentage of liquid in the tank.

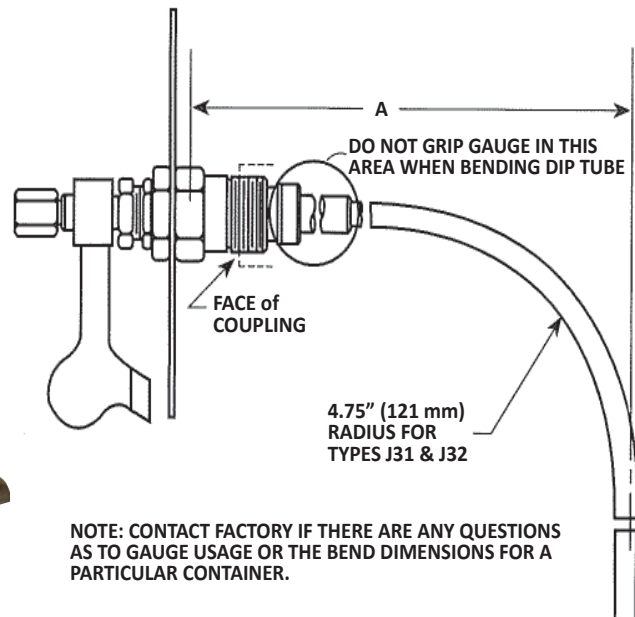
J31 Series - consists of heavy duty gauges that minimize vibration effects (swaying, bouncing) by a long (68-inches) (1,73 meters) stem tube extension. Gauges fit 1-inch (25,4 mm) female coupling container connections.

All gauges have stem and dip tubes with an extra large inside diameter. This assures that the correct liquid level can be obtained quickly. A P324 dial is included with the NH₃ version.

A nylon packing sleeve and a friction ring for the pointer indicator gives smooth rotation and long service life. Steel and stainless steel materials resist rust or corrosion.

NH ₃ Rotary Gauges			
Item Number	Part Number	Length	
		Inches	Millimeters
121122	J31A-1	68	1727
121127	J31A-2	69 - 92	1753 - 2337
121132	J31A-3	93 - 108	2362 - 2743
121137	J31A-3L	109 - 140	2769 - 3556

Each Gauge Must Be Bent Before Installation.



J31A-2

Rotary Gauge Parts		
Item Number	Part Number	Description
122920	P324	NH ₃ Dial
128217	T10971-000A2	Cap & Disc Assy.
128139	T10887-19232	Dial Indicator
128209	T10964-24152	Indicator Set Screw

Shipping Notice:

The J31-1 and J31-2 ship UPS.

The J31-3 and J31-3L will be shipped via motor freight.

The J31-3 if shipped UPS gets an additional oversize charge.

Squibb-Taylor's Quality Policy

We will provide defect-free products and service to our customers and associates.

We will fully understand the requirements of our jobs and the systems that support us.

We will conform to these requirements at all times.

Squibb-Taylor, Inc., established in 1947, has been serving the NH3 industry with quality lines and services for over sixty-eight years.

Squibb-Taylor, Inc., is responsible for the marketing of Taylor's liquid level gauges and Parker PGI International valves for the NH3 industry. We are also a stocking distributor for other manufactured NH3 products. **SQUIBB-TAYLOR DOES NOT DESIGN OR MANUFACTURE ANY PRODUCTS IN THIS CATALOG.**

The Dallas facility houses 24,500 square feet of space, of which 14,500 square feet are devoted to its warehouse that stocks some 10,000 separate items.

We wish to thank you for the support and confidence you have shown in Squibb-Taylor and hope relationships will continue for decades to come.

TERMS & CONDITIONS

Payment

To customers with established credit, *net 30 days from date of invoice*. Customers without established credit will be shipped C.O.D., credit card with percentage upcharge or cash in advance.

Prices

Prices are subject to change without notice.

Shortage Claims

Claims for shortages must be made within 10 days after receipt of shipment.

Warranty

Warranties as expressed by individual manufacturers will be honored.

Returned Material

No material should be returned for credit without Seller's prior approval. Transportation charges must be prepaid. A restocking charge may apply. Merchandise returned must be accompanied by a Returned Goods Authorization (RGA) number, which is provided to customer by Squibb-Taylor.

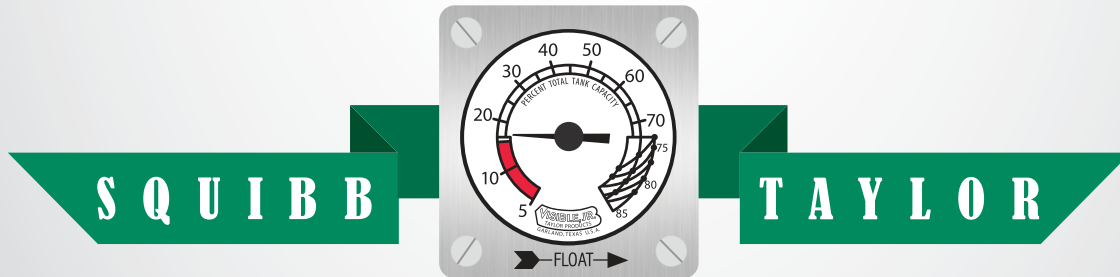
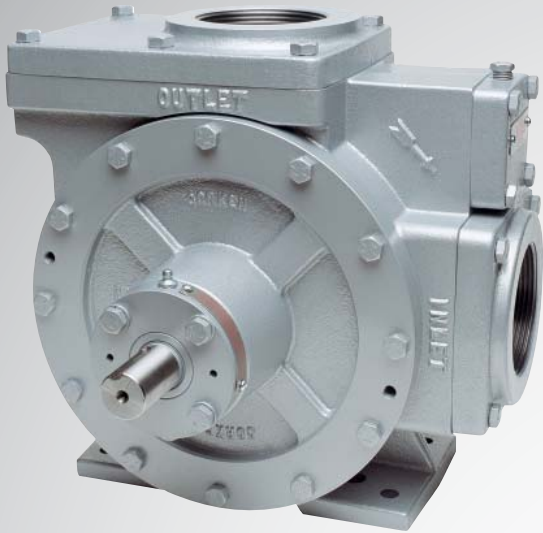
Taxes

Buyer shall be liable for all Sales, Use, or Excise taxes not included in total invoice price.

Special Orders

On special items we order that are not normal stock items, we cannot accept cancellations or returns and may require prepayment at the discretion of Squibb-Taylor.

Visit our Website @ www.squibbtaylor.com for Updates, Changes, New Products, IOM Manual - (Installation, Operation, & Maintenance Instructions), Service Guides & to Sign up for our Newsletter.



Visit our Website @ www.squibbtaylor.com for Updates, Changes, New Products, IOM Manual - (Installation, Operation, & Maintenance Instructions), Service Guides & to Sign up for our Newsletter.

10480 Shady Trail Suite #106
Dallas, Tx. 75220

www.squibbtaylor.com

800-345-8105
Fax 214-357-5923